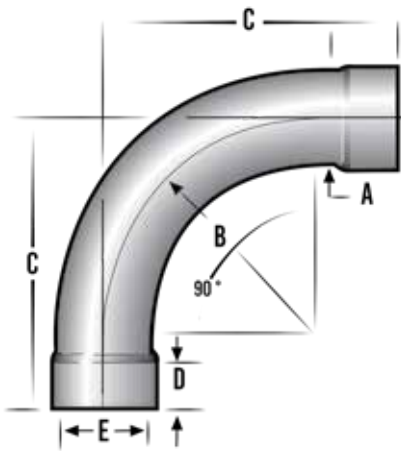


# Industrial Vacuum Components

## Standard Radius Vacuum Elbows

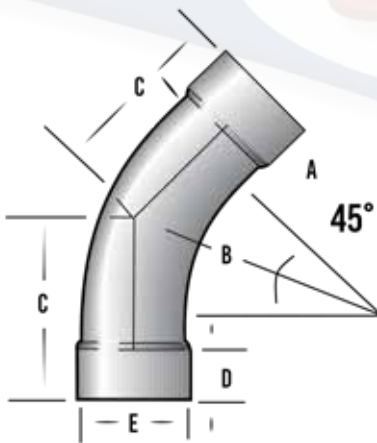
### Standard Radius 90° Elbows



90° STANDARD RADIUS ELBOW

Part No.	A - O.D. or E - I.D. (bell)	B (CLR)	C	D	Gauge
MSR-2190	2 1/8"	5"	7"	1 1/4"	16
MSR-2590	2 1/2"	6"	8"	1 1/4"	16
MSR-3090	3"	7 1/2"	9 1/2"	1 1/4"	16
MSR-3590	3 1/2"	8 3/4"	10 3/4"	1 1/4"	16
MSR-4090	4"	10"	12"	1 1/4"	16
MSR-5090	5"	12 1/2"	15 1/8"	1 1/2"	14
MSR-6090	6"	15"	18 1/4"	1 1/2"	14
MSR-8090	8"	20"	24 1/4"	----	14
MSR-9090***	10"	32"	47"	----	12
MSR-9290***	12"	36"	42 1/4"	----	12
MSR-9490***	14"	36"	43 1/4"	----	12

### Standard Radius 45° Elbows



45° STANDARD RADIUS ELBOW

Part No.	A - O.D. or E - I.D. (bell)	B (CLR)	C	D	Gauge
MSR-2145	2 1/8"	5"	4 5/16"	1 1/4"	16
MSR-2545	2 1/2"	6"	4 1/2"	1 1/4"	16
MSR-3045	3"	7 1/2"	5 1/8"	1 1/4"	16
MSR-3545	3 1/2"	8 3/4"	5 5/8"	1 1/4"	16
MSR-4045	4"	10"	6 1/8"	1 1/4"	16
MSR-5045	5"	12 1/2"	7 13/16"	1 1/2"	14
MSR-6045	6"	15"	9 15/32"	1 1/2"	14
MSR-8045	8"	20"	12 17/32"	----	14
MSR-9045***	10"	32"	28 1/4"	----	12
MSR-9245***	12"	36"	21 5/32"	----	12
MSR-9445***	14"	36"	22 5/32"	----	12

\*\*\*Segmented (3 - piece miter)

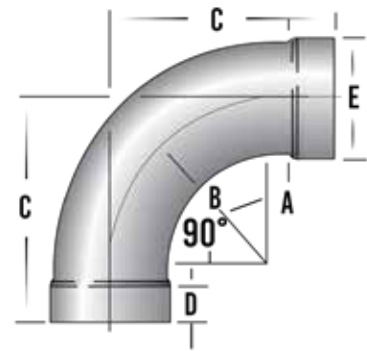
- 30° and 60° Elbows Available
- 11 Gauge Elbows Available (straight ends only)
- Expanded Ends Standard through 6"
- Expanded One End Available
- Straight Ends Available For All Sizes On Request

When ordering, please specify type of material:  
Aluminum, Carbon Steel, Galvanized or Stainless Steel.

## Short Radius Vacuum Elbows

### Short Radius 90° Elbows

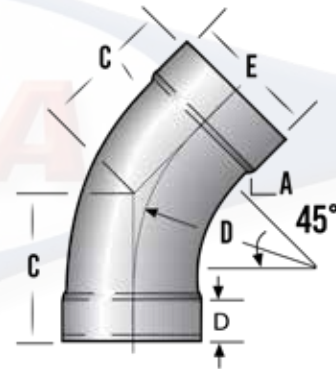
Part No.	A - O.D. or E - I.D. (bell)	B (CLR)	C	D	Gauge
MSH-2190	2 1/8"	3 1/2"	5 1/2"	1 1/4"	16
MSH-2590	2 1/2"	4"	6"	1 1/4"	16
MSH-3090	3"	4 1/2"	6 1/2"	1 1/4"	16
MSH-3590	3 1/2"	5"	7"	1 1/4"	16
MSH-4090	4"	6"	8"	1 1/4"	16
MSH-5090	5"	7 1/2"	10 1/8"	1 1/2"	14
MSH-6090	6"	9"	12 1/4"	1 1/2"	14
MSH-8090	8"	12"	16 1/4"	----	14



90° SHORT RADIUS ELBOW

### Short Radius 45° Elbows

Part No.	A - O.D. or E - I.D. (bell)	B (CLR)	C	D	Gauge
MSH-2145	2 1/8"	3 1/2"	3 7/16"	1 1/4"	16
MSH-2545	2 1/2"	4"	3 21/32"	1 1/4"	16
MSH-3045	3"	4 1/2"	3 7/8"	1 1/4"	16
MSH-3545	3 1/2"	5"	4 1/16"	1 1/4"	16
MSH-4045	4"	6"	4 1/2"	1 1/4"	16
MSH-5045	5"	7 1/2"	5 23/32"	1 1/2"	14
MSH-6045	6"	9"	6 31/32"	1 1/2"	14
MSH-8045	8"	12"	9 7/32"	----	14



45° SHORT RADIUS ELBOW

- 30° and 60° Elbows Available
- 11 Gauge Elbows Available (straight ends only)
- Expanded Ends Standard through 6"
- Expanded One End Available
- Straight Ends Available For All Sizes On Request

When ordering, please specify type of material:  
Aluminum, Carbon Steel, Galvanized or Stainless Steel.