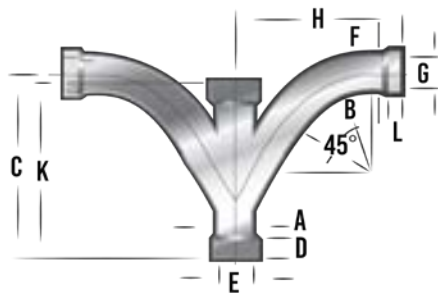




## Standard Double Y's

OD = Outside Diameter  
 D = Expansion Depth 1-3/8" through 4" OD, 1-5/8" for 5" and 6" OD  
 A = Outside Diameter (OD) = E Inside Diameter (ID)  
 F = Outside Diameter (OD) = G Inside Diameter (ID)  
 L = Expansion Depth 1-3/8" through 4" OD, 1-5/8" for 5" and 6" OD  
 All reference dimensions are nominal.

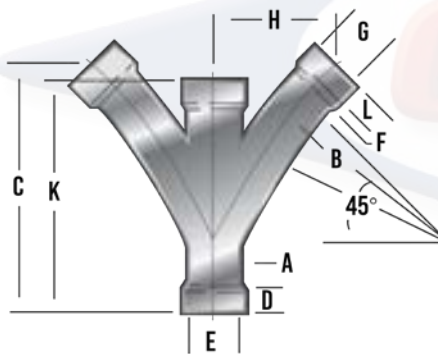
- 2 1/8" through 6" OD
- Wall Thickness: 16, 14, 12, (11 Gauge Available in Straight Ends Only)
- Materials: Carbon, Stainless, Aluminum, Galvanized Steel



Standard Double 90° TY

## Standard Double 90° TY's

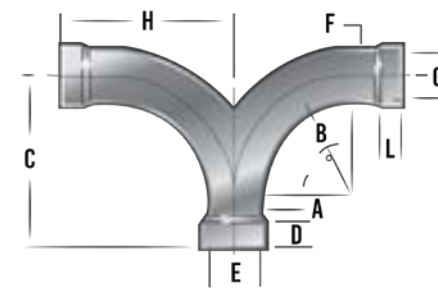
Part No.	Size	Gauge	A - O.D.	B	C	F - O.D.	H	K
DTY-215	2 1/8"	16	2 1/8"	5"	9 5/32"	2 1/8"	8 13/16"	9 1/2"
DTY-256	2 1/2"	16	2 1/2"	6"	10 1/2"	2 1/2"	10 1/32"	10"
DTY-307	3"	16	3"	7 1/2"	12 3/8"	3"	11 25/32"	11 1/2"
DTY-358	3 1/2"	16	3 1/2"	8 3/4"	14 1/8"	3 1/2"	13 11/32"	13"
DTY-409	4"	16	4"	10"	15 7/8"	4"	14 29/32"	14"
DTY-515	5"	14	5"	12 1/2"	19 3/8"	5"	18 5/8"	18 1/2"
DTY-615	6"	14	6"	15"	22 7/8"	6"	22 11/32"	21"



Standard Double 45° YL

## Standard Double 45° YL's

Part No.	Size	Gauge	A - O.D.	B	C	F - O.D.	H	K
DYL-2151	2 1/8"	16	2 1/8"	5"	9 3/32"	2 1/8"	4 11/16"	9 1/2"
DYL-2561	2 1/2"	16	2 1/2"	6"	10 5/32"	2 1/2"	5 3/16"	10"
DYL-3071	3"	16	3"	7 1/2"	11 19/32"	3"	5 29/32"	11 1/2"
DYL-3581	3 1/2"	16	3 1/2"	8 3/4"	12 31/32"	3 1/2"	6 9/16"	13"
DYL-4091	4"	16	4"	10"	14 11/32"	4"	7 1/4"	14"
DYL-5151	5"	14	5"	12 1/2"	17 9/16"	5"	9"	18 1/2"
DYL-6151	6"	14	6"	15"	20 25/32"	6"	10 15/32"	21"



Standard Double 90° Y

## Standard Double 90° Y's

Part No.	Size	Gauge	A - O.D.	B	C	F - O.D.	H
DY-215	2 1/8"	16	2 1/8"	5"	7"	2 1/8"	7"
DY-256	2 1/2"	16	2 1/2"	6"	8"	2 1/2"	8"
DY-307	3"	16	3"	7 1/2"	9 1/2"	3"	9 1/2"
DY-358	3 1/2"	16	3 1/2"	8 3/4"	10 3/4"	3 1/2"	10 3/4"
DY-409	4"	16	4"	10"	12"	4"	12"
DY-515	5"	14	5"	12 1/2"	15 1/8"	5"	15 1/8"
DY-615	6"	14	6"	15"	18 1/4"	6"	18 1/4"