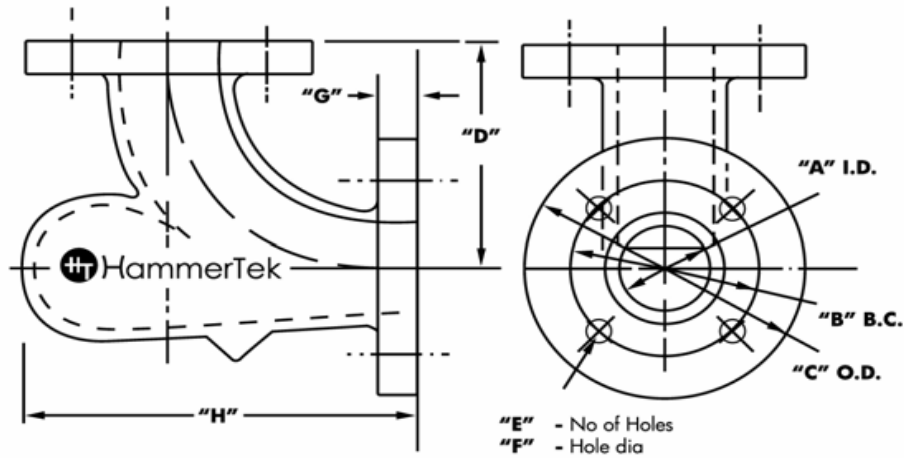




800-255-6213

Smart Elbow® deflection elbow - 90° Schedule 80 Pipe Dimensions

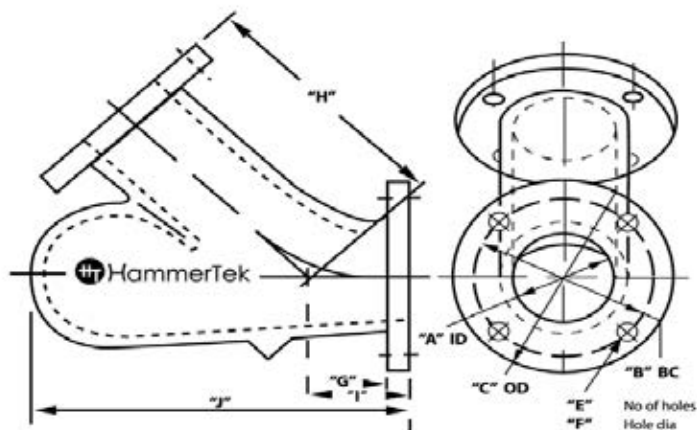


Pipe Size	1"	1.25"	1.5"	2"	2.5"	3"	3.5"	4"	5"	6"	8"	10"	12"	14"
A (All)	0.94	1.28	1.50	1.94	2.32	2.90	3.36	3.83	4.81	5.76	7.63	9.56	11.37	12.50
B 150# FL	3.12	3.50	3.88	4.75	5.50	6.00	7.00	7.50	8.50	9.50	11.75	14.25	17.00	18.75
B 300# FL	3.50	3.88	4.50	5.00	5.88	6.63	7.25	7.88	9.25	10.63	13.00	15.25	17.75	20.25
C 150# FL	4.50	4.62	5.00	6.00	7.00	7.50	8.50	9.00	10.00	11.00	13.50	16.00	19.00	21.00
C 300# FL	4.88	5.25	6.13	6.50	7.50	8.25	9.00	10.00	11.00	12.50	15.00	17.50	20.50	23.00
D* (All)	5.12	5.56	5.13	6.19	7.00	7.63	8.63	9.06	10.38	11.63	14.25	16.62	19.12	21.62
E 150# FL	4.00	4.00	4.00	4.00	4.00	4.00	8.00	8.00	8.00	8.00	8.00	12.00	12.00	12.00
E 300# FL	4.00	4.00	4.00	8.00	8.00	8.00	8.00	8.00	8.00	12.00	12.00	16.00	16.00	20.00
F 150# FL	0.62	0.62	0.63	0.75	0.75	0.75	0.75	0.75	0.88	0.88	0.88	1.00	1.00	1.25
F 300# FL	0.75	0.75	0.88	0.75	0.88	0.88	0.88	0.88	0.88	0.88	1.00	1.12	1.25	1.25
G 150# FL	0.68	0.75	0.82	0.88	1.00	1.06	1.06	1.13	1.13	1.13	1.25	1.38	1.38	1.50
G 300# FL	0.75	0.82	0.82	0.88	1.00	1.13	1.19	1.25	1.38	1.44	1.63	2.00	2.12	2.25
H* (All)	6.38	7.50	7.88	9.63	10.56	12.43	14.06	15.00	18.63	21.33	26.88	31.94	39.88	45.62
Raised Face Dia. (All)	2.00	2.5	2.88	3.63	4.13	5.00	5.50	6.19	7.31	8.50	10.63	12.75	15.00	16.25

* Add 1/16" for 150# and 300# raised-face.



Smart Elbow® deflection elbow - 45° Schedule 80 Pipe Dimensions



Pipe Size	1.5"	2"	2.5"	3"	3.5"	4"	5"	6"	8"
A (All)	1.50	1.94	2.32	2.90	3.36	3.83	4.81	5.76	7.63
B 150# FL	3.88	4.75	5.50	6.00	7.00	7.50	8.50	9.50	11.75
B 300# FL	4.50	5.00	5.88	6.63	7.25	7.88	9.25	10.63	13.00
C 150# FL	5.00	6.00	7.00	7.50	8.50	9.00	10.00	11.00	13.50
C 300# FL	6.13	6.50	7.50	8.25	9.00	10.00	11.00	12.50	15.00
E 150# FL	4.00	4.00	4.00	4.00	8.00	8.00	8.00	8.00	8.00
E 300# FL	4.00	8.00	8.00	8.00	8.00	8.00	8.00	12.00	12.00
F 150# FL	0.63	0.75	0.75	0.75	0.75	0.75	0.88	0.88	0.88
F 300# FL	0.88	0.75	0.88	0.88	0.88	0.88	0.88	0.88	1.00
G 150# FL	0.82	0.88	1.00	1.06	1.06	1.13	1.13	1.13	1.25
G 300# FL	0.82	0.88	1.00	1.25	1.19	1.25	1.38	1.44	1.63
H* (All)	6.19	7.88	8.25	9.56	11.50	12.94	13.88	16.94	21.38
i* (All)	2.69	3.50	3.43	4.13	4.00	4.81	5.38	5.88	6.63
J* (All)	7.88	9.50	10.56	12.69	14.06	16.00	19.38	21.13	28.88
Raised Face Dia. (All)	2.88	3.63	4.13	5.00	5.50	6.19	7.31	8.50	10.63

* Add 1/16" for 150# and 300# raised-face.

