

1-800-255-6213



The only economical couplings available to connect (or repair) threaded or unthreaded pipe or tubing of any size from 1/2" thru 36" – including metric sizes and a rare one-of-a-kind O.D. size tubing.

## COMPRESSION COUPLINGS

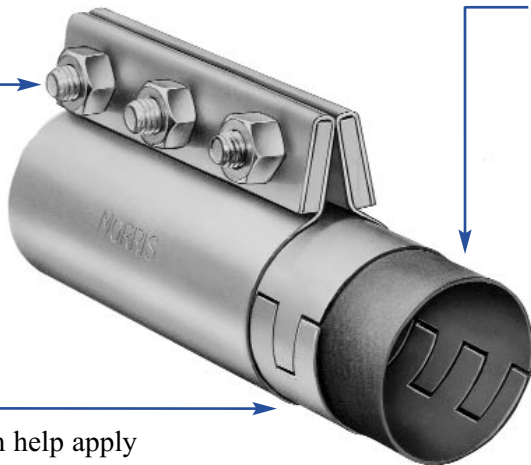
### Exclusive Design Features

#### Outer Shell and Bar Washer

The unique design provides an equalized pressure seal.

#### Nuts and Bolts

Coupling comes ready to slip on with electroplated nuts and bolts in place ready to be tightened with a single wrench.

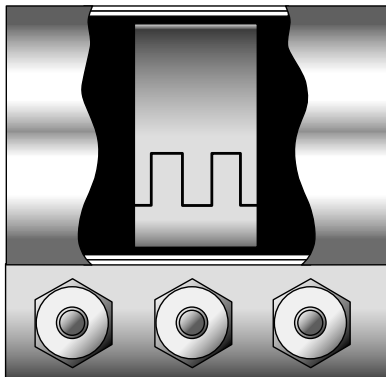


#### Gasket

Die-cut tooth design assures low or high pressure seal for both gaseous and liquid materials. Black neoprene is standard gasket, but rubber, white neoprene, high temperature and other gasket materials are available.

#### Inner Sleeve

Precision die-cut teeth help apply equal pressure to the entire pipe circumference to attain positive seal plus extra rigidity.



### Compression Couplings with Gasket Protectors

Are Factory Assembled – no loose parts  
Automatically compensate for field installation variations causing exposure of gaskets–prevent pinched gaskets at butt connections.

Gasket Protectors are of Type 304 stainless steel with interlocking teeth–excellent for protection against abrasion and corrosion.

For special corrosive application, specify Teflon Gasket Protectors

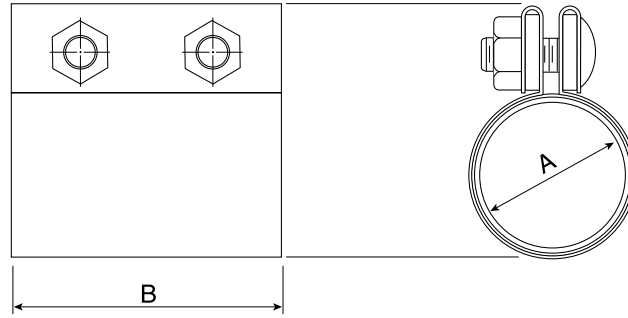
Gasket Protectors provide positive gasket protection against abrasion or corrosion with no adverse effect on Coupling pressure capabilities. They prevent gasket wear which occurs when pipe or tubing ends do not butt completely. This gap is often unavoidable and always undetectable. In pressure systems this condition exposes the gasket to the abrasive action of grains, feeds, resins, pellets and other granular material. In vacuum systems, gasket protectors without Protectors can be drawn into the line enough to cause excessive wear and eventual system leaks. In either type system this may result in undesirable contamination of the materials being handled.

WWW.CHADASALES.COM



CS-0104-3 Couplings

**1-800-255-6213**



The compression pipe coupling is designed for permanent installation in the joining of either plain end, threaded, grooved or a combination of any of these joints. The band type construction holds the entire surface of the joint in uniform compression.

Couplings are made of heavy gauge zinc plated steel...prices of aluminum or stainless steel couplings may be quoted on request.

Gaskets furnished standard in white or black neoprene...please specify. Gaskets also available in a variety of other materials at a slight extra charge.

**Condensed Table of Specifications**

Size	Thickness		
	Shell	Sleeve	Gasket
1/2" - 2-7/8" OD	.052	.052	.062
3" OD	.052	.052	.093
3-1/4" - 5" OD	.062	.052	.093
5-1/4" - 8-5/8" OD	.062	.052	.125
9 - 24" OD	.062	.062	.125

**COMPRESSION COUPLINGS**

Tubing or Nom. Pipe (IPS) Size	O.D. Tubing Pipe (A)	Coupling Code no.	Coupling Length (B)	No. of Bolts	Size of Bolts	Weight Each (lbs.)
1/2" PIPE	.840	1/2-2C	2"	2	5/16 x 1-1/4	.5
3/4" PIPE	1.050	3/4-2C	2"	2	5/16 x 1-1/4	.7
1" TUBING	1.000	1-2C-OD	2"	2	5/16 x 1-1/4	1.6
1" PIPE	1.315	1-2C	4"	2	1/2 x 1-3/4	1.6
1-1/4" TUBING	1.250	1-1/4-2C-OD	4"	2	1/2 x 1-3/4	1.9
1-1/4" PIPE	1.660	1-1/4-2C	4"	2	1/2 x 1-3/4	1.8
	1.660	1-1/4-3C	6"	3	1/2 x 1-3/4	3.0
1-1/2" TUBING	1.500	1-1/2-2C-OD	4"	2	1/2 x 1-3/4	2.0
	1.500	1-1/2-3C-OD	6"	3	1/2 x 1-3/4	2.9
1-1/2" PIPE	1.900	1-1/2-2C	4"	2	1/2 x 1-3/4	2.0
	1.900	1-1/2-3C	6"	3	1/2 x 1-3/4	3.1
1-3/4" TUBING	1.750	1-3/4-2C-OD	4"	2	1/2 x 1-3/4	2.1
	1.750	1-3/4-3C-OD	6"	3	1/2 x 1-3/4	3.0
2" TUBING	2.000	2-2C-OD	4"	2	1/2 x 1-3/4	2.1
	2.000	2-3C-OD	6"	3	1/2 x 1-3/4	3.1
2" PIPE	2.375	2-2C	4"	2	1/2 x 1-3/4	2.2
	2.375	2-3C	6"	3	1/2 x 1-3/4	3.5
	2.375	2-4C	8"	4	1/2 x 1-3/4	4.7
2-1/8" TUBING	2.125	2-1/8-2C-OD	4"	2	1/2 x 1-3/4	2.1
	2.125	1-1/8-3C-OD	6"	3	1/2 x 1-3/4	3.2
2-3/16" TUBING	2.187	2-3/16-2C-OD	4"	2	1/2 x 1-3/4	2.2
	2.187	2-3/16-3C-OD	6"	3	1/2 x 1-3/4	3.3
2-1/4" TUBING	2.250	2-1/4-2C-OD	4"	2	1/2 x 1-3/4	2.2
	2.250	2-1/4-3C-OD	6"	3	1/2 x 1-3/4	3.3
2-1/2" TUBING	2.500	2-1/2-2C-OD	4"	2	1/2 x 1-3/4	2.6
	2.500	2-1/2-3C-OD	6"	3	1/2 x 1-3/4	3.4
2-1/2" PIPE	2.875	2-1/2-2C	4"	2	1/2 x 1-3/4	2.4
	2.875	2-1/2-3C	6"	3	1/2 x 1-3/4	3.7
	2.875	2-1/2-4C	8"	4	1/2 x 1-3/4	5.0
2-3/4" TUBING	2.750	2-3/4-3C-OD	6"	3	1/2 x 1-3/4	3.6
3" TUBING	3.000	3-2C-OD	4"	2	5/8 x 2	3.2
	3.000	3-3C-OD	6"	3	5/8 x 2	4.5
	3.000	3-4C-OD	8"	4	5/8 x 2	5.9
3" PIPE	3.500	3-2C	4"	2	5/8 x 2	3.4
	3.500	3-3C	6"	3	5/8 x 2	5.1
	3.500	3-4C	8"	4	5/8 x 2	6.6
3-1/4" TUBING	3.250	3-1/4-2C-OD	4"	2	5/8 x 2	3.5
	3.250	3-1/4-3C-OD	6"	3	5/8 x 2	5.0
	3.250	3-1/4-3C-OD	8"	4	5/8 x 2	6.5
3-1/2" TUBING	3.500	3-2C	4"	2	5/8 x 2	3.4
	3.500	3-3C	6"	3	5/8 x 2	5.1
	3.500	3-4C	8"	4	5/8 x 2	6.6

**WWW.CHADASALES.COM**



# 1-800-255-6213



**To Prevent Static Electricity Build-up** in Bulk Material Conveying Systems, specify compression Couplings with grounding strips...Be sure to state if your requirements call for aluminum or stainless steel strips. Stainless steel grounding strips are standard, aluminum grounding strips or couplings without grounding strips are available at the same price.

**To Eliminate Gasket Wear**, or contamination of material flowing through the system lines, specify couplings with Stainless Steel **GASKET PROTECTORS**.

## COMPRESSION COUPLINGS

### For Tubing and Pipe

Tubing or Nom. Pipe (IPS) Size	O.D. Tubing Pipe (A)	Coupling Code no.	Coupling Length (B)	No. of Bolts	Size of Bolts	Gasket*		
						Black Gasket Each (lbs.)	White Gasket* PIC No.	
3 1/2" PIPE	4.000	3-1/2-2C	4"	2	5/8 x 2	3.7	0104002B2FG	0104002W2
	4.000	3-1/2-3C	6"	3	5/8 x 2	5.3	0104003B2FG	0104003W2FG
	4.000	3-1/2-4C	8"	4	5/8 x 2	7.2	0104004B2FG	010400422FG
3-3/4" TUBING	3.750	3-3/4-3C-OD	6"	3	5/8 x 2	5.6	0103753B2	0103753W2
	3.750	3-3/4-4C-OD	8"	4	5/8 x 2	7.4	0103754B2	0103754W2
4" TUBING	4.000	3-1/2-2C	4"	2	5/8 x 2	3.7	0104002B2FG	0104002W2FG
	4.000	3-1/2-3C	6"	3	5/8 x 2	5.3	0104003B2FG	0104003W2FG
	4.000	3-1/2-4C	8"	4	5/8 x 2	7.2	0104004B2FG	0104004W2FG
4" PIPE	4.500	4-2C	4"	2	5/8 x 2	3.8	0104002B2FG	0104002W2FG
	4.500	4-3C	6"	3	5/8 x 2	5.5	0104503B2FG	0104503W2FG
	4.500	4-4C	8"	4	5/8 x 2	7.7	0104504B2FG	0104504W2FG
4-1/4" TUBING	4.250	4-1/4-3C-OD	6"	3	5/8 x 2	5.5	0104253B2	0104253W2
	4.250	4-1/4-4C-OD	8"	4	5/8 x 2	7.0	0104254B2	0104254W2
4-1/2" TUBING	4.500	4-2C	4"	2	5/8 x 2	3.8	0104502B2FG	0104502W2FG
	4.500	4-3C	6"	3	5/8 x 2	5.5	0104503B2FG	0104503W2FG
	4.500	4-4C	8"	4	5/8 x 2	7.7	0104504B2FG	0104504W2FG
4 1/2" PIPE	5.000	4-1/2-2C	4"	2	5/8 x 2	4.2	0105002B2FG	0105002W2FG
	5.000	4-1/2-3C	6"	3	5/8 x 2	6.2	0105003B2FG	0105003W2FG
	5.000	4-1/2-4C	8"	4	5/8 x 2	8.1	0105004B2FG	0105004W2FG
4-3/4" TUBING	4.750	4-3/4-3C-OD	6"	3	5/8 x 2	6.5	0104753B2	0104753W2
	4.750	4-3/4-4C-OD	8"	4	5/8 x 2	8.6	0104754B2	0104754W2
5" TUBING	5.000	4-1/2-2C	4"	2	5/8 x 2	4.2	0105002B2FG	0105002W2FG
	5.000	4-1/2-3C	6"	3	5/8 x 2	6.2	0105003B2FG	0105003W2FG
	5.000	4-1/2-4C	8"	4	5/8 x 2	8.1	0105004B2FG	0105004W2FG
5" PIPE	5.563	5-2C	4"	2	5/8 x 2	4.6	0105562B2	0105562W2
	5.563	5-3C	6"	3	5/8 x 2	6.8	0105563B2FG	0105563W2FG
	5.563	5-4C	8"	4	5/8 x 2	8.8	0105564B2FG	0105564W2FG
5-1/4" TUBING	5.250	5-1/4-3C-OD	6"	3	5/8 x 2	6.6	0105253B2	0105253W2
5-1/2" TUBING	5.500	5-1/2-3C-OD	6"	3	5/8 x 2	6.8	0105503B2	0105503W2
	5.500	5-1/2-4C-OD	8"	4	5/8 x 2	9.0	0105504B2	0105504W2
5-3/4" TUBING	5.750	5-3/4-3C-OD	6"	3	5/8 x 2	7.8	0105753B2	0105753W2
	5.750	5-3/4-4C-OD	8"	4	5/8 x 2	9.2	0105754B2	0105754W2
6" TUBING	6.000	6-2C-OD	4"	2	5/8 x 2	4.7	0106002B2FG	0106002W2FG
	6.000	6-3C-OD	6"	3	5/8 x 2	7.0	0106003B2FG	0106003W2FG
	6.000	6-4C-OD	8"	4	5/8 x 2	9.4	0106004B2FG	0106004W2FG
	6.000	6-5C-OD	10"	5	5/8 x 2	11.8	0106005B2	0106005W2
	6.625	6-2C	4"	2	5/8 x 2	5.3	0106622B2	0106622W2
6" PIPE	6.625	6-3C	6"	3	5/8 x 2	7.8	0106623B2FG	0106623W2FG
	6.625	6-4C	8"	4	5/8 x 2	10.4	0106624B2FG	0106624W2FG
	6.625	6-5C	10"	5	5/8 x 2	14.3	0106625B2	0106625W2
	7.000	7-3C-OD	6"	3	5/8 x 2	7.9	0107003B2	0107003W2
7" TUBING	7.000	7-4C-OD	8"	4	5/8 x 2	10.8	0107004B2	0107004W2
	7.000	7-5C-OD	10"	5	5/8 x 2	13.7	0107005B2	0107005W2
	8.000	8-2C-OD	6"	2	3/4 x 3	11.0	0108002B2FG	0108002W2FG
8" TUBING	8.000	8-3C-OD	8"	3	3/4 x 3	14.3	0108003B2FG	0108003W2FG
	8.000	8-4C-OD	10"	4	3/4 x 3	18.0	0108004B2FG	0108004W2FG
	8.000	8-5C-OD	12"	5	3/4 x 3	22.0	0108005B2	0108005W2
	8.625	8-2C	6"	2	3/4 x 3	11.5	0108622B2	0108622W2
8" PIPE	8.625	8-3C	8"	3	3/4 x 3	14.6	0108623B2	0108623W2
	8.625	8-4C	10"	4	3/4 x 3	18.8	0108624B2FG	0108624W2FG
	8.625	8-5C	12"	5	3/4 x 3	23.0	0108L625B2	0108L625W2
	9.000	9-3C-OD	8"	3	3/4 x 3	15.9	0109003B2	0109003W2
9" TUBING	9.000	9-4C-OD	10"	4	3/4 x 3	19.9	0109004B2	0109004W2

YOUR Parts Warehouse... ANY Hour - ANY Day



[WWW.CHADASALES.COM](http://WWW.CHADASALES.COM)

CS-0104-5 Couplings

# 1-800-255-6213



**To Prevent Static Electricity Build-up** in Bulk Material Conveying Systems, specify compression Couplings with grounding strips...Be sure to state if your requirements call for aluminum or stainless steel strips. Stainless steel grounding strips are standard, aluminum grounding strips or couplings without grounding strips are available at the same price.

**To Eliminate Gasket Wear**, or contamination of material flowing through the system lines, specify couplings with Stainless Steel **GASKET PROTECTORS**.

## COMPRESSION COUPLINGS

### For Tubing and Pipe

Tubing or Nom. Pipe (IPS) Size	O.D. Tubing Pipe (A)	Coupling Code no.	Coupling Length (B)	No. of Bolts	Size of Bolts	Weight Each (lbs.)	Black Gasket	White Gasket
							PIC No.	PIC No.
10" TUBING	10.000	10-3C-OD	8"	3	3/4 x 3	17.5	0110003B2	0110003W2
	10.000	10-4C-OD	10	4	3/4 x 3	21.8	0110004B2FG	0110004W2
	10.000	10-5C-OD	12"	5	3/4 x 3	26.1	0110005B2	0110005W2
10" PIPE	10.750	10-3C	8"	3	3/4 x 3	16.4	0110753B2	0110753W2
	10.750	10-4C	10"	4	3/4 x 3	20.3	0110754B2	0110754W2
	10.750	10-5C	12"	5	3/4 x 3	25.2	0110755B2	0110755W2
12" TUBING	12.000	12-3C-OD	8"	3	3/4 x 3	20.4	0112003B2	0112003W2
	12.000	12-4C-OD	10"	4	3/4 x 3	25.5	0112004B2	0112004W2
	12.000	12-5C-OD	12"	5	3/4 x 3	30.2	0112005B2	0112005W2
12" PIPE	12.750	12-3C	8"	3	3/4 x 3	18.7	0112753B2	0112753W2
	12.750	12-4C	10"	4	3/4 x 3	23.3	0112754B2	0112754W2
	12.750	12-5C	12"	5	3/4 x 3	27.1	0112755B2	0112755W2
14"	14.000	14-3C-OD	8"	3	3/4 x 3	22.9	0114003B2	0114003W2
	14.000	14-4C-OD	10"	4	3/4 x 3	27.6	0114004B2	0114004W2
	14.000	14-5C-OD	12"	5	3/4 x 3	34.2	0114005B2	0114005W2
	14.000	14-6C-OD	16"	6	3/4 x 3	45.0	0114006B2	0114006W2
15"	15.000	15-3C-OD	8"	3	3/4 x 3	24.0	0115003B2	0115003W2
	15.000	15-4C-OD	10"	4	3/4 x 3	29.6	0115004B2	0115004W2
	15.000	15-5C-OD	12"	5	3/4 x 3	35.9	0115005B2	0115005W2
	15.000	15-5C-OD	16"	6	3/4 x 3	48.0	0115006B2	0115006W2
16"	16.000	16-3C-OD	8"	3	3/4 x 3	25.3	0116003B2	0116003W2
	16.000	16-4C-OD	10"	4	3/4 x 3	31.1	0116004B2	0116004W2
	16.000	16-5C-OD	12"	5	3/4 x 3	37.8	0116005B2	0116005W2
	16.000	16-6C-OD	16"	6	3/4 x 3	49.5	0116006B2	0116006W2
18	18.000	18-4C-OD	10"	4	3/4 x 3	34.7	0118004B2	0118004W2
	18.000	18-5C-OD	12"	5	3/4 x 3	41.9	0118005B2	0118005W2
	18.000	18-6C-OD	16"	6	3/4 x 3	54.9	0118006B2	0118006W2
20"	20.000	20-5C-OD	12"	5	3/4 x 3	45.6	0120005B2	0120005W2
	20.000	20-6C-OD	16"	6	3/4 x 3	59.5	0120006B2	0120006W2
22"	22.000	22-5C-OD	12"	5	3/4 x 3	48.9	0122005B2	0122005W2
	22.000	22-6C-OD	16"	6	3/4 x 3	64.4	0122006B2	0122006W2
24"	24.000	24-5C-OD	12"	5	3/4 x 3	52.1	0124005B2	0124005W2
	24.000	24-6C-OD	16"	6	3/4 x 3	68.6	0124006B2	0124006W2

[WWW.CHADASALES.COM](http://WWW.CHADASALES.COM)



**1-800-255-6213**



## **QUICKON II COUPLERS®**

QUICKON II COUPLERS can be installed or removed with a twist of the wrist. No tools or special skills needed.

The positive locking system turns easily to seal or to compensate for normal O.D. pipe or tubing tolerances.

This in-line coupler is ideal for use where fast takedown and reassembly of lines is essential, reduced coupler weight is desirable, a line or system is frequently modified, wraparound installation is necessary, and where pressure does not exceed 50 psi.

## **QUICKON COUPLERS**

### **FEATURES:**

- Super fast installation and takedown...no tools.
- One piece construction...no loose pieces.
- No special pipe preparation required.
- Adjusting screw and thick gasket assure positive seal and even compression over the entire joint...will not damage thin wall tubing.
- Stays closed in spite of expansion, contraction or vibration.
- Exceptionally lightweight...a 4" O.D. quickon weighs 1 1/4 lbs. compared to 3 3/4 lbs. for a 4" O.D. standard coupling.

## **DUAL QUICKON II COUPLERS®**



**WWW.CHADASALES.COM**

YOUR Parts Warehouse... ANY Hour - ANY Day  
**CHADA**  
Pneumatic Solutions From People Who Know  
CS-0104-7 Couplings

**1-800-255-6213**



**STAINLESS STEEL**



**STAINLESS STEEL**

**FOR PNEUMATIC OR VACUUM CONVEYING SYSTEMS**

Quickon II Couplers can be installed or removed with a twist of the wrist. No tools or special skills needed. The positive locking system turns easily to seal or to compensate for normal O.D. pipe or tubing tolerances.

This in-line Coupler is ideal for use where: Fast takedown and re-assembly of lines is essential, reduced coupler weight is desirable, a line or system is frequently modified, wrap around installation is necessary, and where pressure does not exceed 50 psi.

**QUICKON COUPLERS**

**QUICKON II COUPLERS**

O.D. Size In.	Code No.	Weight Each (lbs.)	Food Grade Gasket
			PIC No.
1.500	1501	.58	2401501F2
1.660	1661	.60	2401661F2
1.750	1751	.62	2401751F2
1.900	1901	.65	2401901F2
2.000	2001	.68	2402001F2FG
2.125	2121	.70	2402121F2
2.250	2251	.71	2402251F2
2.375	2371	.74	2402371F2
2.500	2501	.77	2402501F2FG
2.750	2751	.80	2402751F2
2.875	2871	.84	2402871F2
3.000	3001	.88	2403001F2FG
3.250	3251	.97	2403251F2
3.500	3501	1.06	2403501F2FG
3.750	3751	1.15	2403751F2
4.000	4001	1.25	2404001F2FG
4.250	4251	1.32	2404251F2
4.500	4501	1.40	2404501F2FG
5.000	5001	1.55	2405001F2FG
5.563	5561	1.63	2405561F2
6.000	6001	1.72	2406001F2FG
6.250	6251	1.78	2406251F2
6.625	6621	1.82	2406621F2
8.000	8001	2.25	2408001F2FG
8.625	8621	2.38	2408621F2
9.000	9001	2.45	2409001F2
10.000	10001	2.65	2410001F2

**Standard Quickon II Couplers listed are 4" in length.**

**DUAL QUICKON II COUPLERS**

O.D. Size In.	Code No.	Food Grade Gasket
		PIC No.
4.000	2-4001	2804002F2
4.500	2-4501	2804502F2
5.000	2-5001	2805002F2
6.000	2-6001	2806002F2
6.625	2-6621	2806622F2
8.000	2-8001	2808002F2
8.625	2-8621	2808622F2
10.000	2-10001	2810002F2
10.750	2-10751	2810752F2
12.000	2-12001	2812002F2
12.750	2-12751	2812752F2

**Dual Quickon II Couplers listed are 9-1/2" in length.**

**Specifications:**

All stainless steel construction including band, strike plate, handle screw and yoke. Gasket is abrasion-resistant, gum rubber attached to band. Static conducting grounding strip included on request.

ORDER by O.D. SIZE, CODE NO. AND GASKET  
Request prices on special sizes not shown.  
Prices subject to change without notice.

**WWW.CHADASALES.COM**

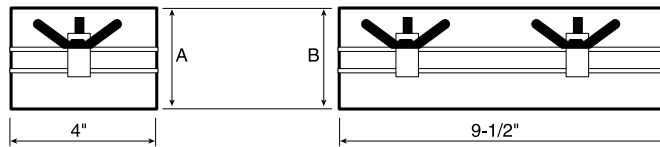


# 1-800-255-6213

**The GRIPPER** was devised as a quick coupler for dry bulk transport tank tubing. This unique coupling just slides onto the tubing or wraps around it and is tightened by hand in seconds but it provides better support than rubber hose and band clamps. Our exclusive fail-safe clamping action keeps its hold despite expansion, contraction and vibration. The Gripper's positive sealing interlocking gum gaskets allow for tube and pipe variations. And because its made of 100% stainless steel, it will not corrode due to harsh weather or road conditions. Silicone and F.D.A. approved gaskets are available.



## The GRIPPER™



O.D. Size In.(A)	Code No.	O.D. Size In.(A)	Code No.
1.500	G-1500-1	9.000	G-9000-1
1.660	G-1660-1	10.000	G-10000-1
1.750	G-1750-1	10.750	G-10750-1
1.900	G-1900-1	12.000	G-12000-1
2.000	G-2000-1	12.750	G-12750-1
2.125	G-2125-1		
2.188	G-2188-1		
2.250	G-2250-1		
2.375	G-2375-1		
2.500	G-2500-1		
2.625	G-2625-1		
2.750	G-2750-1		
2.875	G-2875-1		
3.000	G-3000-1		
3.125	G-3125-1		
3.250	G-3250-1		
3.500	G-3250-1		
3.750	G-3500-1		
4.000	G-4000-1		
4.250	G-4250-1		
4.500	G-4500-1		
4.750	G-4750-1		
5.000	G-5000-1		
5.250	G-5250-1		
5.500	G-5500-1		
5.563	G-5563-1		
5.750	G-5750-1		
6.000	G-6000-1		
6.250	G-6250-1		
6.500	G-6500-1		
6.625	G-6625-1		
6.500	G-6500-1		
8.000	G-8000-1		
8.625	G-8625-1		
		O.D. Size In.(B)	Code No.
		3.000	G-3000-2
		3.125	G-3125-2
		3.250	G-3250-2
		3.500	G-3500-2
		3.750	G-3750-2
		4.000	G-4000-2
		4.250	G-4250-2
		4.500	G-4500-2
		4.750	G-4750-2
		5.000	G-5000-2
		5.250	G-5250-2
		5.500	G-5500-2
		5.563	G-5563-2
		5.750	G-5750-2
		6.000	G-6000-2
		6.250	G-6250-2
		6.500	G-6500-2
		6.625	G-6625-2
		8.000	G-8000-2
		8.625	G-8625-2
		9.000	G-9000-2
		10.000	G-10000-2
		10.750	G-10750-2
		12.000	G-12000-2
		12.750	G-12750-2

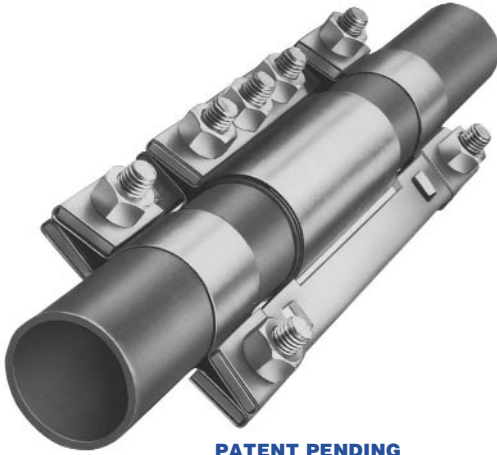
Special sizes available upon request

[WWW.CHADASALES.COM](http://WWW.CHADASALES.COM)



# 1-800-255-6213

The unique design of the Side-Band Compression coupling gives you vastly improved axial force holding power to connect or repair threaded or unthreaded pipe and tubing.



**PATENT PENDING**

Dual locking side bands grip the pipes and allow higher operating pressures than those normally suggested for standard compression couplings. Especially effective where line vibration is a problem, and on plastic pipe.

You get all the positive sealing advantages of the compression coupling in a coupling that can hold its own in fighting end pull.

Available for 1 1/2" thru 24" nominal pipe or tubing sizes – including millimeter sizes. Static grounding strips or stainless steel gasket protectors are also available.

## SIDE BAND COMPRESSION COUPLINGS

O.D. of Pipe or Tubing Inches	Coupling Code No.	Wgt. Ea. (Lbs.)
2.000	2-3C-OD-SB	7.3
2.375	2-3C-SB	7.7
2.500	2 1/2-3C-OD-SB	8.1
2.875	2 1/2-3C-SB	8.7
3.00	3-3C-OD-SB	9.2
	3-4C-OD-SB	10.1
3.500	3-3C-SB	9.8
	3-4C-SB	10.7
4.000	3 1/2-3C-SB	10.3
	3 1/2-4C-SB	12.9
4.500	4-3C-SB	10.7
	4-4C-SB	13.4
5.000	4 1/2-3C-SB	11.4
	4 1/2-4C-SB	14.1
5.563	5-3C-SB	12.3
	5-4C-SB	15.0

O.D. of Pipe or Tubing Inches	Coupling Code No.	Wgt. Ea. (Lbs.)
6.000	6-3C-OD-SB	12.5
	6-4C-OD-SB	15.6
6.625	6-3C-SB	13.5
	6-4C-SB	16.9
8.000	8-3C-OD-SB	24.8
	8-4C-OD-SB	28.5
8.625	8-3C-SB	25.6
	8-4C-SB	29.8
10.000	10-3C-OD-SB	29.2
	10-4C-OD-SB	33.5
10.750	10-3C-SB	28.1
	10-4C-SB	32.0
12.000	12-3C-OD-SB	32.1
	12-4C-OD-SB	37.0
12.750	12-3C-SB	32.7
	AS-4C-SB	37.9

**Note: For Side-Band coupling length - add 8 inches to basic coupling length.**

• WHEN ORDERING - Always give the Code No. and O.D. of the pipe or tube on which coupling will be used.

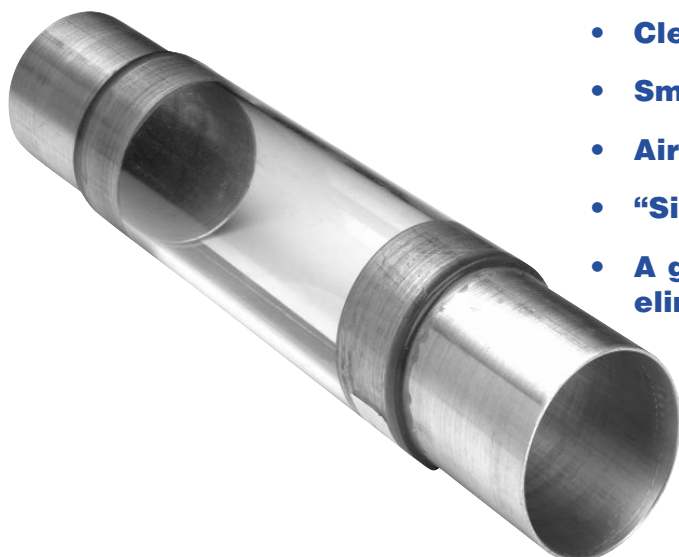
1. Same price applies for couplings with Red Rubber Gaskets.
2. Stainless steel or aluminum grounding strips are available at the same price. Contact Chada for prices of couplings with Teflon Gasket protectors. Prices for larger and/or special sizes available on request.

**WWW.CHADASALES.COM**

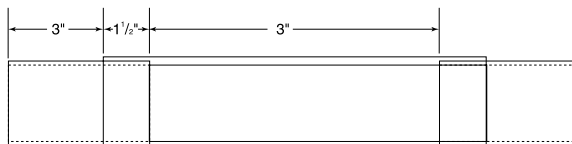




# 1-800-255-6213



- Clear look at the material flowing
- Smooth "Straight-Thru" interior
- Air-Tight Seal
- "Sighting" section can be furnished in Pyrex
- A grounding strip, permanently attached, eliminates
- Fast, easy installation



## SIGHT GLASSES

### TUBING OR PIPE INSERTED IN CLEAR ACRYLIC IN FOLLOWING SIZES:

#### Tubing Sizes with Aluminum Ends

PART NO.	OVERALL O.D. "A"	TUBE O.D. "B"	TUBE I.D. "C"
SG 1 1/2-OD-16	1.750	1.500	1.375
SG 2 -OD-16FG	2.250	2.000	1.875
SG 2 -OD-11FG	2.250	2.000	1.750
SG 2 1/4-OD-16FG	2.500	2.250	2.125
SG 2 1/4-OD-16FG	2.750	2.500	2.375
SG 2 1/2-OD-11	2.750	2.500	2.250
SG 3 -OD-16FG	3.250	3.000	2.875
SG 3 -OD-11FG	3.250	3.000	2.750
SG 3 1/2-OD-16	3.750	3.500	3.375
SG 3 1/2-OD-11	3.750	3.500	3.250
SG 4 -OD-16FG	4.250	4.000	3.875
SG 4 -OD-11FG	4.250	4.000	3.750
SG 4 1/2-OD-16	4.750	4.500	4.375
SG 4 1/2-OD-11	4.750	4.500	4.250
SG 5 -OD-14	5.250	5.000	4.875
SG 5 -OD-11FG	5.250	5.000	4.750
SG 6 -OD-11FG	6.500	6.000	5.750

#### Pipe Sizes with Steel Ends

SG 2" -IPS	2.500	2.375	2.000
SG 2 1/2-IPS	3.000	2.875	2.500

#### Pipe Sizes with Aluminum Pipe Ends

SG 2" -AP	2.500	2.375	2.000
SG 2 1/2-AP	3.000	2.875	2.500

### CLEAR ACRYLIC INSERTED IN PIPE IN FOLLOWING SIZES:

#### Pipe Sizes with Steel Ends

PART NO.	OVERALL O.D. "A"	TUBE O.D. "B"	TUBE I.D. "C"
SG 3" -IPSFG	3.500	3.250	3.000
SG 3 1/2" -IPS	4.000	3.750	3.500
SG 4" -IPSFG	4.500	4.250	4.000
SG 5" -IPS	5.563	5.250	5.000
SG 6" -IPSFG	6.625	6.500	6.000

#### Pipe Sizes with Aluminum Pipe Ends

PART NO.	OVERALL O.D. "A"	TUBE O.D. "B"	TUBE I.D. "C"
SG 3" -AP	3.500	3.250	3.000
SG 3 1/2" -AP	4.000	3.750	3.500
SG 4" -APFG	4.500	4.250	4.000
SG 5" -AP	5.563	5.250	5.000
SG 6" -APFG	6.625	6.500	6.000

Prices subject to change without notice.

#### Material:

Aluminum Tubing	6061-T6 and 6063-T6
"Sight Glass"	Cast Acrylic Resin
Steel Pipe	Schedule 40
Aluminum Pipe	Schedule 40
(Available in Schedule 5 & 10)	

Prices of special sizes and materials including Pyrex sighting section available on request.

When ordering, please be sure to use the correct part number. Also list tubing or pipe O.D. and wall thickness.

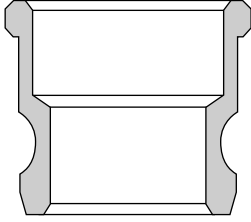
Prices of special sizes and materials available on request.

# WWW.CHADASALES.COM



# 1-800-255-6213

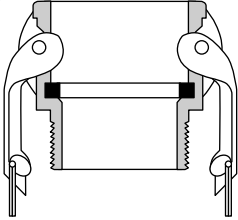
## Part "A"



### ADAPTOR - ALUMINUM FEMALE THREAD NPT

Size	Model No.	Wt Lbs
1 1/2	15A	.25
2	20A	.5
2 1/2	25A	.6
3	30A	.7
4	40A	1.4
5	50A	2.0
6	60A	2.5
8	80A	-

## Part "B"

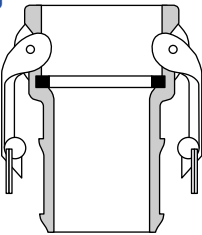


### COUPLER - ALUMINUM THREAD MALE NPT

Size	Model No.	Wt Lbs
1 1/2	15B	.75
2	20B	1.0
2 1/2	25B	1.25
3	30B	2.0
4	40B	3.1
5	50B	4.0
6	60B	6.0
8	80B	-

## QUICK COUPLINGS

## Part "C"

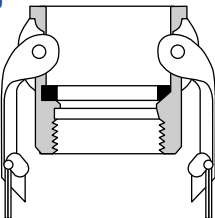


### HOSE CLAMP COUPLER - ALUMINUM

Size	Model No.	Wt Lbs
1 1/2	15C	1.0
2	20C	1.2
2 1/2	25C	1.5
3	30C	2.6
4	40C	3.3
5	50C	4.3
6	60C	7.0
8	80C	-



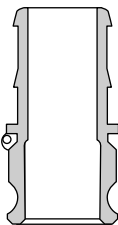
## Part "D"



### COUPLER - ALUMINUM THREAD FEMALE NPT

Size	Model No.	Wt Lbs
1 1/2	15D	.8
2	20D	1.1
2 1/2	25D	1.4
3	30D	1.9
4	40D	3.0
5	50D	4.1
6	60D	6.0
8	80D	-

## Part "E"

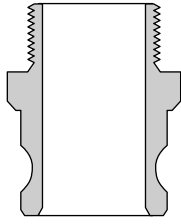


### HOSE SHANK ADAPTOR - ALUMINUM

Size	Model No.	Wt Lbs
1 1/2	15E	.5
2	20E	.7
2 1/2	25E	.91
3	30E	1.4
4	40E	2.5
5	50E	3.0
6	60E	4.5
8	80E	-

# 1-800-255-6213

## Part "F"



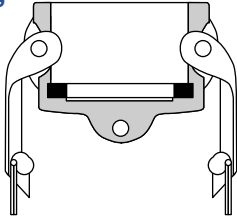
### MALE ADAPTOR - ALUMINUM

Size	Model No.	Wt Lbs
1 1/2	15F	.25
2	20F	.5
2 1/2	25F	.81
3	30F	1.5
4	40F	2.0
5	50F	2.8
6	60F	3.0
8	80F	-

### SECURITY CHAIN

Part No.	Wt Lbs
C-51	.10

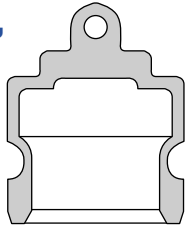
## Part "V"



### DUST CAP - ALUMINUM

Size	Model No.	Wt Lbs
1 1/2	15V	.75
2	20V	1.0
2 1/2	25V	1.19
3	30V	1.7
4	40V	2.5
5	50V	3.4
6	60V	4.5
8	80V	-

## Part "W"



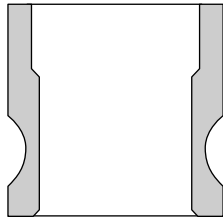
### DUST CAP - ALUMINUM

Size	Model No.	Wt Lbs
1 1/2	15W	.75
2	20W	1.0
2 1/2	25W	1.19
3	30W	1.7
4	40W	2.5
5	50W	3.4
6	60W	4.5
8	80W	-



## WELD PARTS

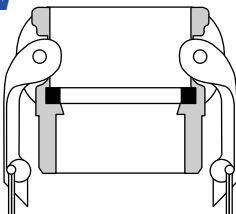
## Part "AW"



### ADAPTOR - ALUMINUM - SOCKET OR BUTT WELD

Size	Model No.	Wt Lbs
1 1/2	15AW	.37
2	20AW	.47
2 1/2	25AW	.53
3	30AW	.84
4	40AW	1.34
5	50AW	1.62
6	60AW	2.50
8	80AW	6.40

## Part "DW"



### COUPLER - ALUMINUM - SOCKET OR BUTT WELD

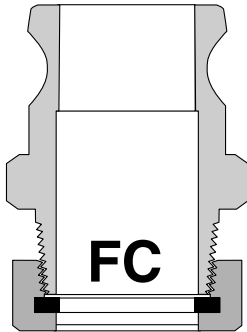
Size	Model No.	Wt Lbs
1 1/2	15DW	.87
2	20DW	.91
2 1/2	25DW	1.16
3	30DW	2.12
4	40DW	2.62
5	50DW	4.12
6	60DW	5.87
8	80DW	8.31

[WWW.CHADASALES.COM](http://WWW.CHADASALES.COM)

# 1-800-255-6213

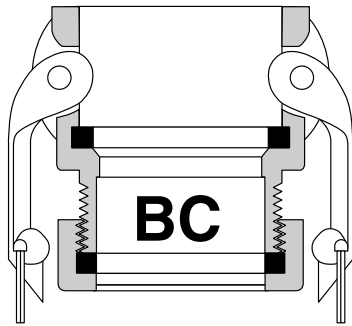
Quick Change Couplers, with easy grip Compression Nut requires no welding or epoxy to assembly your pneumatic conveying systems.

All Couplers and Adapters with Compression Nuts are made of aluminum. They are designed for low pressure conveying systems and field installation, for use with .065 tubing size from 1 1/2 inches to 3 inches.



## ADAPTER WITH COMPRESSION NUT

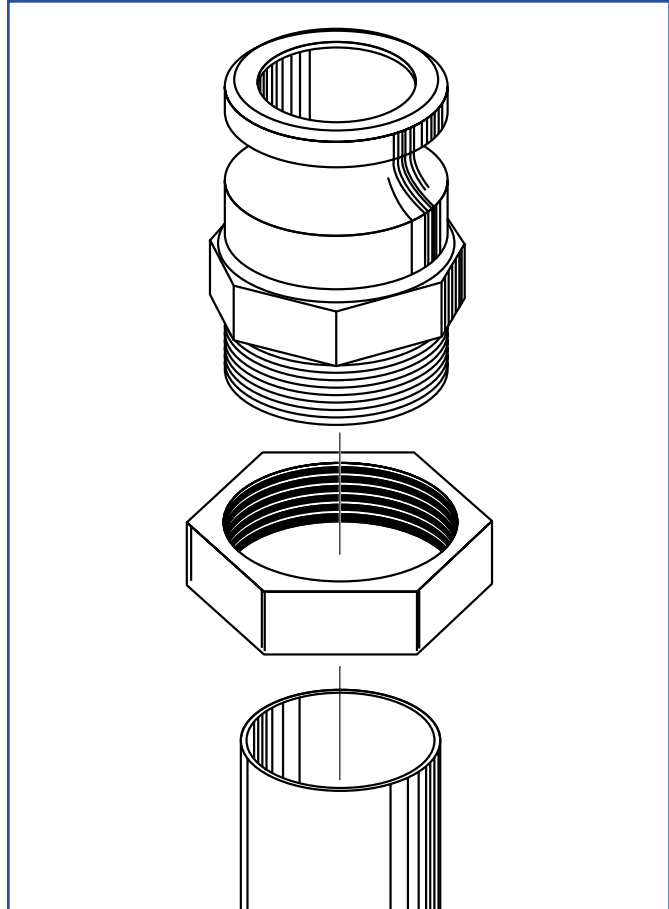
PART NO.	SIZE IN INCHES
15-FC	1 1/2
20-FC	2
25-FC	2 1/2
30-FC	3



## COUPLER WITH COMPRESSION NUT

PART NO.	SIZE IN INCHES
15-BC	1 1/2
20-BC	2
25-BC	2 1/2
30-BC	3

## Exploded View with Adapter Typical assembly



## COMPRESSION NUT REPLACEMENT PARTS

PART NO.	SIZE IN INCHES
15-CNUT	1 1/2
20-CNUT	2
25-CNUT	2 1/2
30-CNUT	3
15-GSKCNUT	1 1/2
20-GSKCNUT	2
25-GSKCNUT	2 1/2
30-GSKCNUT	3